

PARTS LIST FOR
HHS-303-1E1A

PUMP OIL GRADE:	SAE20 or 30 Non-Detergent
PUMP OIL CAPACITY:	15 oz.
FUEL NOZZLE:	2.25 80°B Delavan
BTU INPUT:	386,400
PRESSURE NOZZLE SIZE:	2.18mm

This Parts Listing has been compiled for your benefit. You can be assured your hot water pressure washer was constructed and designed with quality and performance in mind. Each component has been rigorously tested to insure the highest level of acceptance.

The contents of this Parts Listing are based on the latest product information available at the time of publication. The manufacturer reserves the right to make changes in price, color, materials, equipment, specifications or models at any time without notice.

WARNING

THIS IS A PROFESSIONAL HIGH PRESSURE, HOT WATER PRESSURE WASHER. CAUTION SHOULD BE OBSERVED WHEN USING OR REPAIRING THIS UNIT! READ AND FOLLOW THE SAFETY WARNINGS LISTED BELOW BEFORE ATTEMPTING ANY REPAIRS ON THIS PRESSURE WASHER!

SAFETY WARNINGS

1. NEVER alter or modify the equipment. Be sure any accessory items and system components being used will withstand the pressure developed. Use only genuine manufacturer parts for repair of your pressure washer. Failure to do so can cause hazardous operating conditions and will VOID warranty.
2. This unit has multiple safety devices which should never be altered, modified, removed or made inoperable. If a device fails, replace immediately with only genuine manufacturer replacement parts.
3. Electrical System: The unit must be connected to a properly grounded electrical source which provides the correct voltage and adequate fuse protection. Disconnect from power source when making repairs. Never assume the pressure washer is safe to work on just because it is not operating. It could restart at any time. Never operate the pressure washer with electrical enclosures open, removed or damaged. Do not allow metal components of the pressure washer to come in contact with live electrical components.
4. Do not operate the unit without all protective covers in place. Know how to stop and bleed pressures quickly. Be thoroughly familiar with controls.
5. Before servicing the unit, turn unit off, and trigger the gun to release trapped pressure. Do not make repairs while the unit is running. Service in a clean, dry, flat area.
6. After testing the machine, DO NOT leave the pressurized unit unattended. Shut off the unit and release trapped pressure before leaving.

Table of Contents

SPECIFICATIONS.....3

FLOW CHART4

GENERAL THEORY OF OPERATION5

SAFETY DECAL PLACEMENT.....6

ELECTRICAL BOX FOR HHS-303-1E1A.....8

HEAT EXCHANGER ASSEMBLY.....10

BURNER ASSEMBLY (4-0017) (AFTER SERIAL #15008085)12

CHASSIS ASSEMBLY14

FLOAT TANK ASSEMBLY.....16

FUEL TANK ASSEMBLY (850-0303)18

MOTOR/PUMP ASSEMBLY20

PUMP ASSEMBLY (3-0210)22

UNLOADER (850-0252)24

PRESSURE SWITCH (22-0171 & 22-0243)26

GUN/WAND/HOSE ASSEMBLY28

GUN ASSEMBLY (16-0001)29

WIRE SCHEMATIC/DIAGRAM..... 30-31

SPECIFICATIONS

MODEL NUMBER	HHS-303-1E1A
Operating Pressure (PSI/Bar):	300/21
Steam Volume (GPM/lpm):	2.35/8.89
Outlet Water Temperature (F/C):	235°F/ 113°C (+/- 10°F) rise above inlet ambient
Electrical System:	
Phase	Single
Hz	60
Voltage	115
Total System Amperage	18.2
On/ Off Switch	Industrial Cam Switch
Motor (Pump):	
	ODP
Horsepower	1.5
RPM	1750
Service Factor	1.15
High Pressure Pump:	
	Belt Driven, Oil Bath, Triplex Piston
Oil Type	SAE20 or 30 Non-Detergent
Oil Capacity (oz. / liters)	15/0.44
Plungers	Ceramic
Manifold	Forged Brass
Valves	Stainless Steel
Water System:	
Inlet Water Strainer	Removable Thimble for inspection and cleaning of Stainless Steel Screen
Float Tank Strainer	Removable Strainer for inspection and cleaning of Stainless Steel Screen
Float Tank Capacity (Gal. / Liters)	4.75/18.0
Unloader	Pressure Trapping, Preset
Thermal Relief Valve	Protects pump against damaging heat in recirculated and inlet water.
Detergent System	Adjustable Metering Valve
Burner Fuel System:	
Fuel Type	No.1 or No.2 Fuel Oil, Diesel or Kerosene
Fuel Capacity (Gal. / Liters)	10/37.8
Fuel Filter/ Water Separator	Spin on (10 micron) filter/ E-Z water drain
Fuel Pump	Two Line, Single Stage
Fuel Pressure (PSI / BAR)	150/10.4
Fuel Nozzle	2.25 80° B Delavan
Fuel Consumption (GPH / LPH)	2.76/10.4 Cont. Burning
Burner Electrical System:	
Voltage	115
Amps	3.0
Heat Exchanger:	
	Horizontal, Side Fired, Pancake Coil
BTU Input	386,400
Efficiency	75% with #2 Fuel Oil/ Diesel
Smoke Density	0-3 per ASTM D2156
Safety Relief:	
Pressure Switch	Shuts off burner fuel supply upon trigger release
High Limit Switch	Shuts off burner fuel supply when outlet water temperature exceeds 225°F/107°C
Fuel Solenoid Valve	115 Volt, controls fuel supply to burner
Safety Relief	Relieves excess system pressure
Steam Nozzle:	
	2.18 mm
Unit Net Weight (Lbs/Kg)	
	460/208.5
Unit Shipping Weight (Lbs/Kg)	
	580/263
Unit Net Dimension (In/Cm)	
	56.5Lx30Wx41.5H/143.5Lx76Wx105.5H
Unit Shipping Dimension (In/Cm)	
	57.5Lx35.5Wx59.5H/146Lx90Wx151H
Warranty:	
Unit	(2) Two Year Limited Warranty
Coil	(5) Five Year Limited Warranty
AR Pump Crankcase	(5) Five Year Limited Warranty
Pump Manifold	(10) Ten Year Limited Warranty

GENERAL THEORY OF OPERATION

WATER FLOW: Connect a pressurized water source to the INLET GARDEN HOSE CONNECTION (1) and turn on the water supply. The water will flow through a WATER STRAINER (2) and then through a FLOAT VALVE (3) into a WATER FLOAT TANK (5). If the water rises above the OVERFLOW HOLES (4), the excess water will drain out the unit.

The water is then drawn through the WATER STRAINER (6) and into the TRIPLEX HIGH PRESSURE PUMP (7) which has an UNLOADER (8) that bypasses the water when the trigger gun is closed. To protect the pump from heated water during this bypass stage, a THERMAL RELIEF VALVE (9) will open at 140°F/60°C allowing the heated water to escape. The Thermal Relief Valve automatically resets when the water cools. Attached to the pump is a BURNER CONTROL PRESSURE SWITCH (10) that controls the fuel supply to the burner.

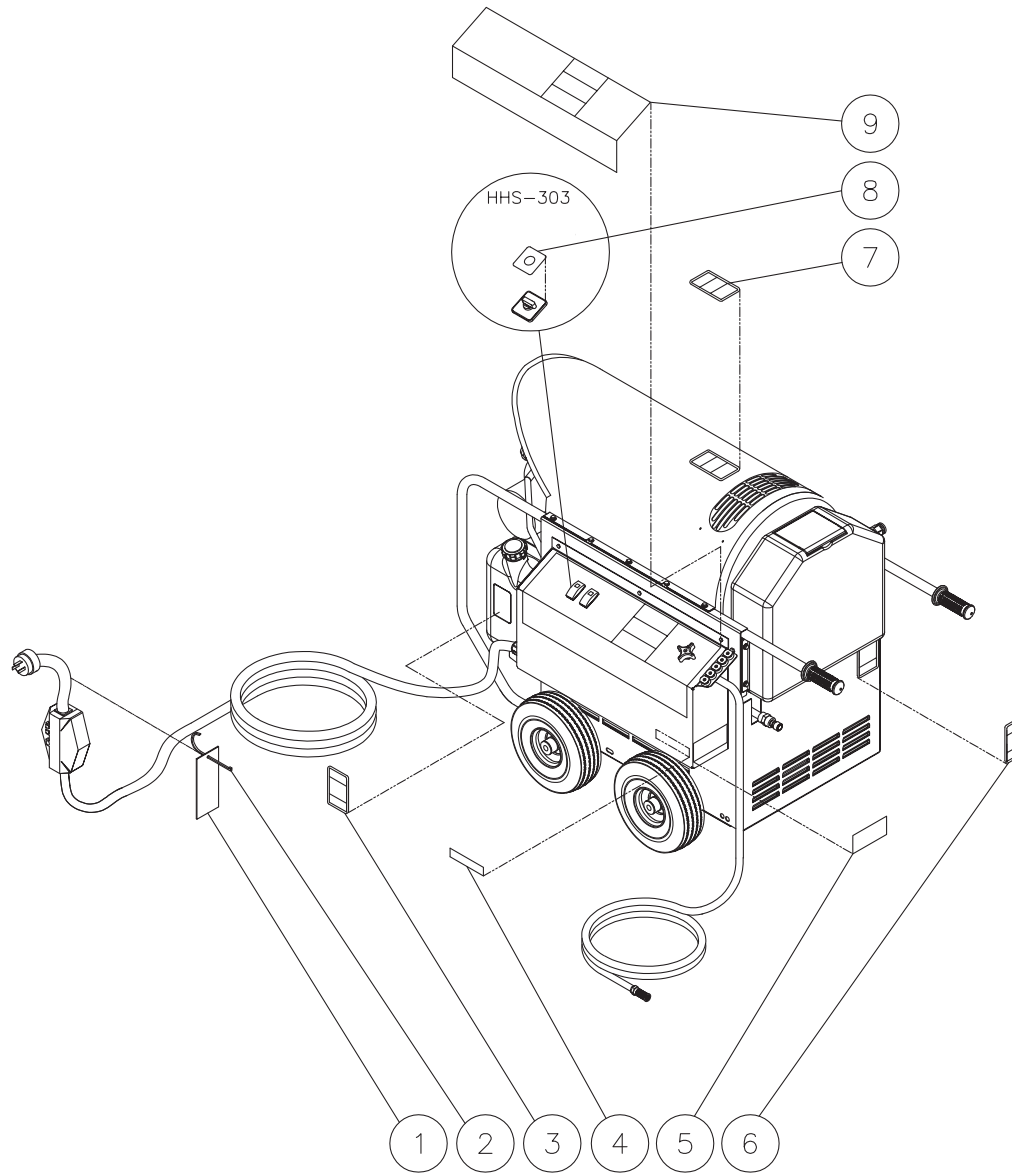
When using detergents, the solution passes through the DETERGENT STRAINER (11) located on the DETERGENT HOSE (12). The detergent solution then travels through the DETERGENT METERING VALVE (13).

From there, the water flows through HEAT EXCHANGER INLET (14) where it is heated when the burner is on. As the water exits the HEAT EXCHANGER OUTLET (15), it enters a safety system which protects the operator from danger. The system also contains a HI-LIMIT TEMPERATURE SWITCH (16) which senses the water temperature and shuts off the fuel supply to the burner if the water gets too hot. If the unloader fails to bypass water or the burner remains on when the trigger gun is closed, the SAFETY RELIEF VALVE (17) will relieve and allow water to exit safely.

The heated water then flows through the HIGH PRESSURE HOSE (18) and to the TRIGGER GUN ASSEMBLY (19) which allows the operator to control the water spray. When the trigger gun is open, the water flows through the ADJUSTABLE PRESSURE DUAL LANCE (20) and exits the NOZZLE (21).

FUEL FLOW: The Fuel Pump draws fuel from the FUEL TANK (22) through a replaceable FUEL FILTER (23) and into the FUEL PUMP (24). Fuel exits the fuel pump, into a FUEL SOLENOID VALVE (25) which controls fuel flow to the FUEL NOZZLE (26) where it ignites and burns in the heat exchanger.

SAFETY DECAL PLACEMENT

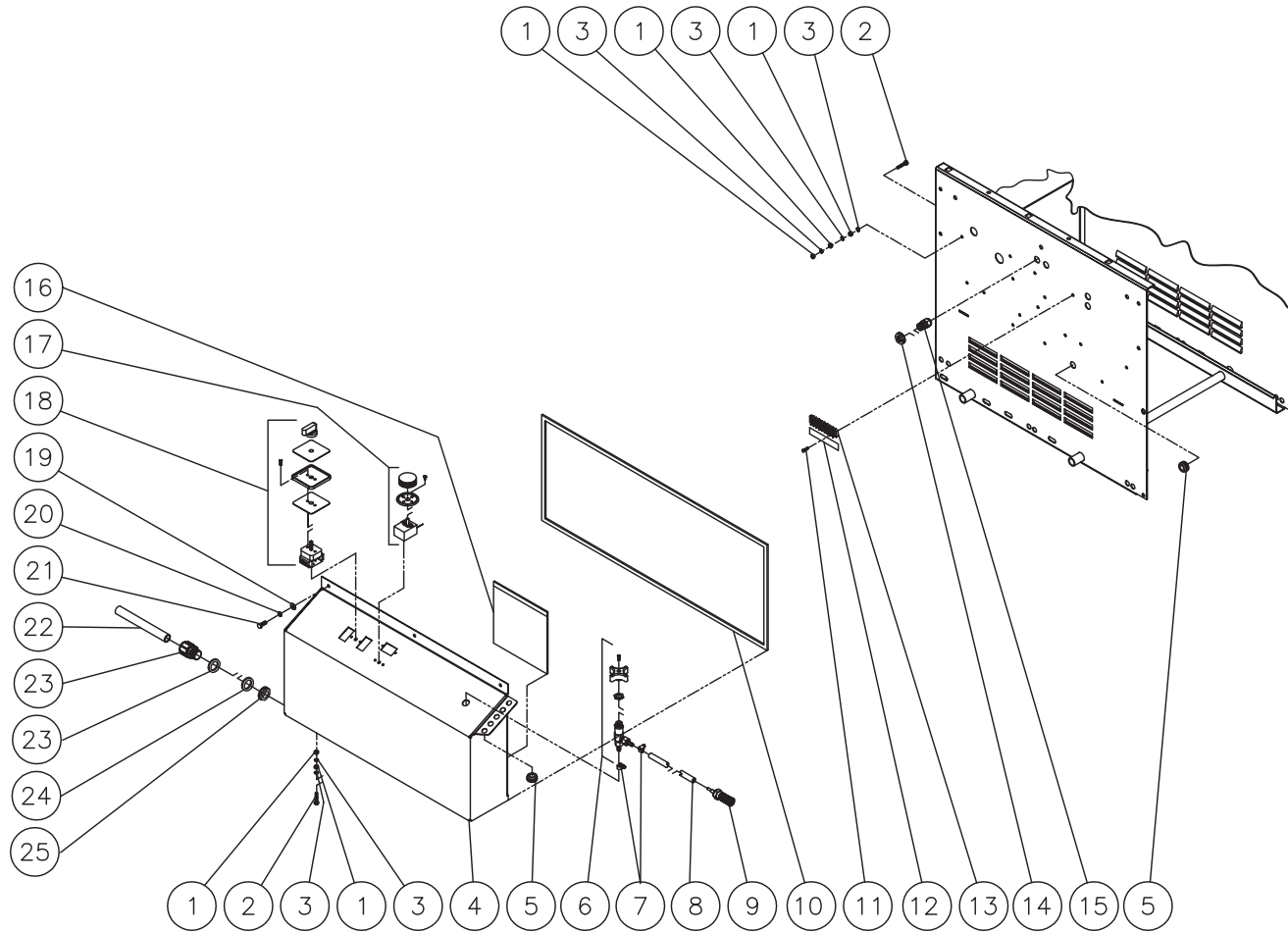


HHS-SERIES SPECS & SAFETY DECALS-100405-RZ

HHS-303 SAFETY DECAL PLACEMENT-100405-RZ

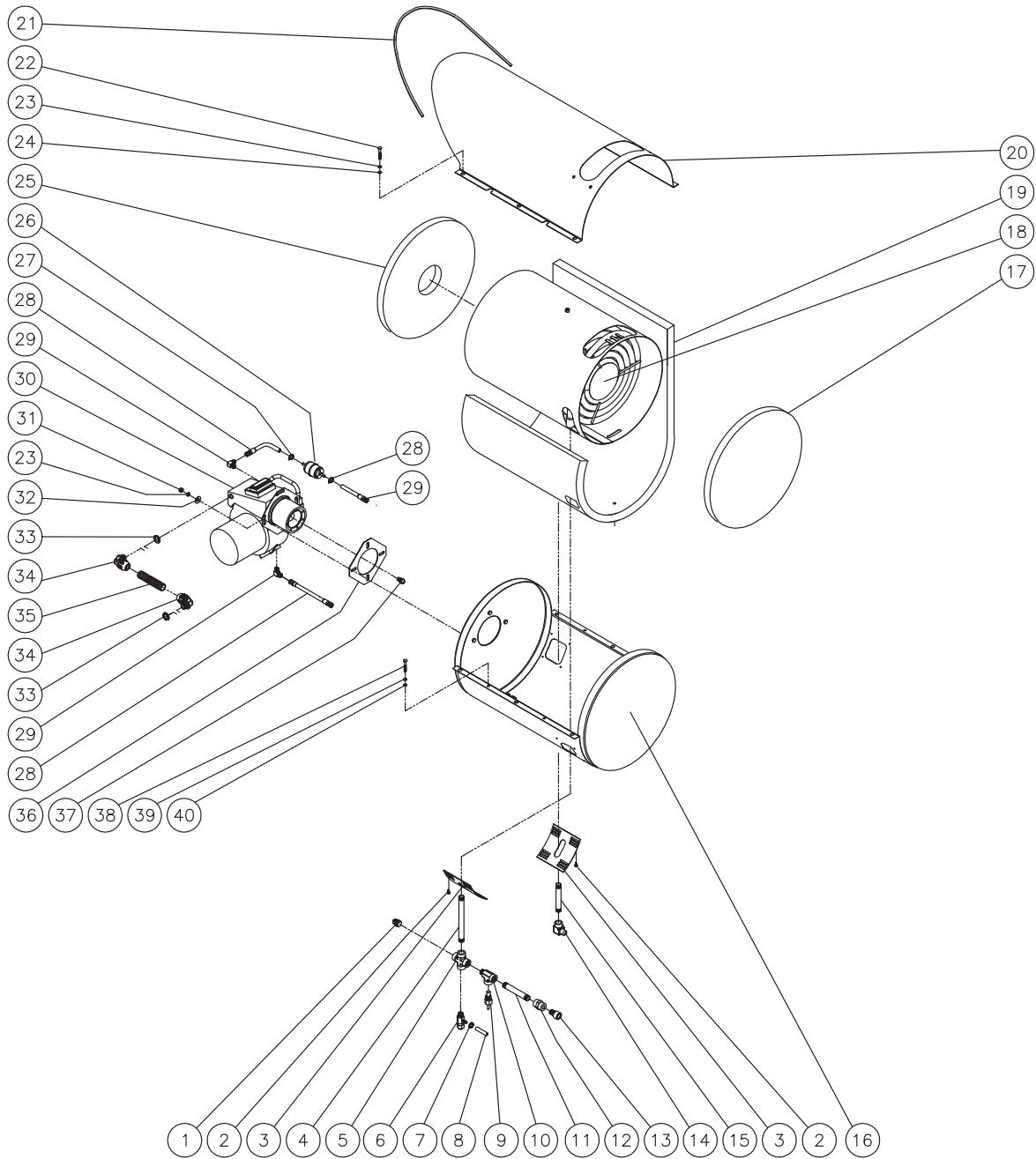
SAFETY DECAL PLACEMENT			
REF. #	DESCRIPTION	PART #	QTY.
1	Hang Tag: Warning: Risk of Electrocution (E/F/S)	34-1035	1
2	Cable Tie	33-0022	1
3	Decal- Caution: Risk of Fire (E/F/S) (See 34-9037)	N/A Sep.	1
4	Decal- Die Cut 303	34-1145	1
5	Decal- Data Plate	N/A	1
6	Decal- Warning: Risk of Injury (E/F/S) (See 34-9037)	N/A Sep.	1
7	Decal- Warning: Hot Surface (E/F/S) (See 34-9037)	N/A Sep.	1
8	Decal- Off/Pump/Burner (E/F/S) (HHS-1002/1003) (See 34-9037)	N/A Sep.	1
9	Decal- Warning/Caution/Operation (E/F/S) (See 34-9037)	N/A Sep.	1
	Safety Decal Kit (Inc. 3, 6-9)	34-9037	

ELECTRICAL BOX FOR HHS-303-1E1A



ELECTRIC BOX FOR HHS-303-1E1A							
REF. #	DESCRIPTION	PART #	QTY.	REF. #	DESCRIPTION	PART #	QTY.
1	Nut	30-6001	5	14	Locknut	32-0587	2
2	Bolt	27-8807	2	15	Strain Relief	32-0586	2
3	Washer	28-1009	5	16	Envelope	41-0184	1
4	Electric Box	20-0550A18	1	17	Adjustable Thermostat	32-0734	1
5	Grommet	33-0001	9	18	Cam Switch	32-0434	1
6	Detergent Valve	22-0226	1	19	Washer	28-0002	3
7	Hose Clamp	42-0004	2	20	Lockwasher	29-0006	3
8	Hose *(Six Feet Required)	15-0021	1	21	Bolt	27-0015	3
9	Detergent Strainer w/Check	19-0056	1	22	Cord	32-0268	1
10	Gasket	26-0240	1	23	Strain Relief	32-0437	1
11	Screw	27-8835	2	24	Washer	28-0051	2
12	Decal- Terminal Strip (See 34-9037)	N/A Sep.	1	25	Locknut	32-0108	1
13	Terminal Strip	32-0436	1		Decal Kit (Inc. 12)	34-9037	
*Must Order in One Foot Lengths							

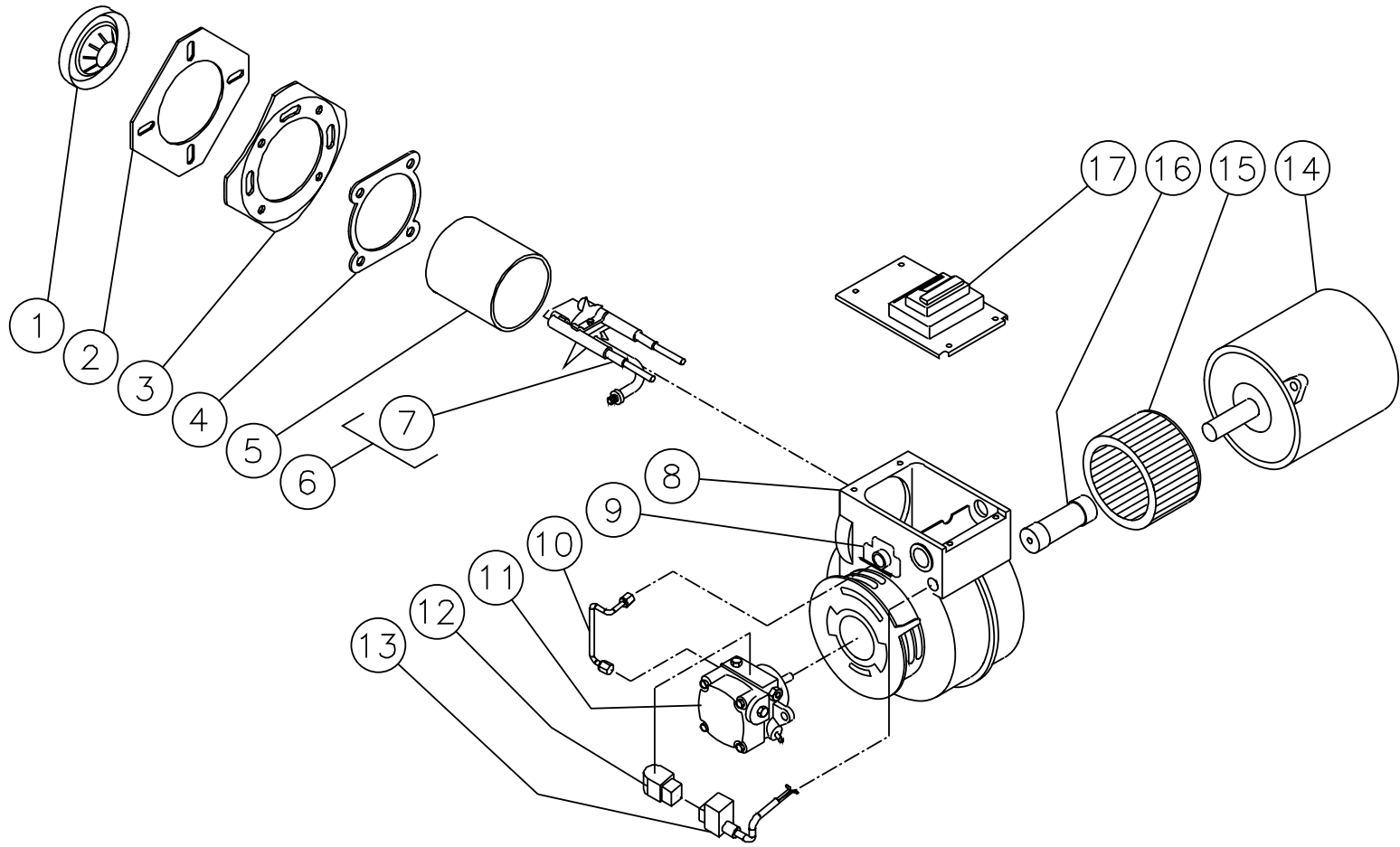
HEAT EXCHANGER ASSEMBLY



HHS-303 HEAT EXCHANGR-110905-JJT

HEAT EXCHANGER ASSEMBLY								
REF. #	DESCRIPTION	PART #	QTY.		REF. #	DESCRIPTION	PART #	QTY.
1	Plug	39-0016	1		21	Trimlock *(Three Feet Required)	33-0423	1
2	Screw	27-3062	8		22	Bolt	27-0121	6
3	Patch Plate	20-0537A18	2		23	Lockwasher	29-0008	9
4	Pipe Nipple	24-0255	1		24	Washer	28-0030	6
5	Cross	24-0241	1		25	Insulation Dome	33-0345	1
6	Safety Relief Valve Assembly	22-0308	1		26	Inline Fuel Filter	19-0110	1
7	Clamp	42-0004	1		27	Clamp	42-0003	2
8	Hose *(Two Feet Required)	15-0020	1		28	Fuel Hose	15-0147	2
9	Hi-Limit	32-0690	1		29	Elbow	23-0237	2
10	Street Tee	24-0242	1		30	Burner	4-0017	1
11	Pipe Nipple	24-0246	1		31	Nut	30-0006	3
12	Adapter	24-0243	1		32	Washer	28-0023	8
13	Quick Connect Plug	17-0007	1		33	Conduit w/Elbow	32-0108	2
14	Elbow	24-0240	1		34	Elbow	32-0254	2
15	Pipe Nipple	24-0245	1		35	Conduit *(Two Feet Required)	32-0253	1
16	Bottom Wrap Assembly	20-0527A18	1		36	Gasket w/Burner	44-0108	1
17	Insulation Dome	33-0346	1		37	Fuel Nozzle- 2.25 80° B Delavan	18-0090	1
18	Coil Assembly	66-0014	1		38	Bolt	27-0019	4
19	Insulation Blanket (Replacement Only)	850-0279	1		39	Lockwasher	29-0006	4
20	Top Wrap	21-0129	1		40	Washer	28-0002	4
*Must Order in One Foot Lengths								

BURNER ASSEMBLY (4-0017) (AFTER SERIAL #15008085)



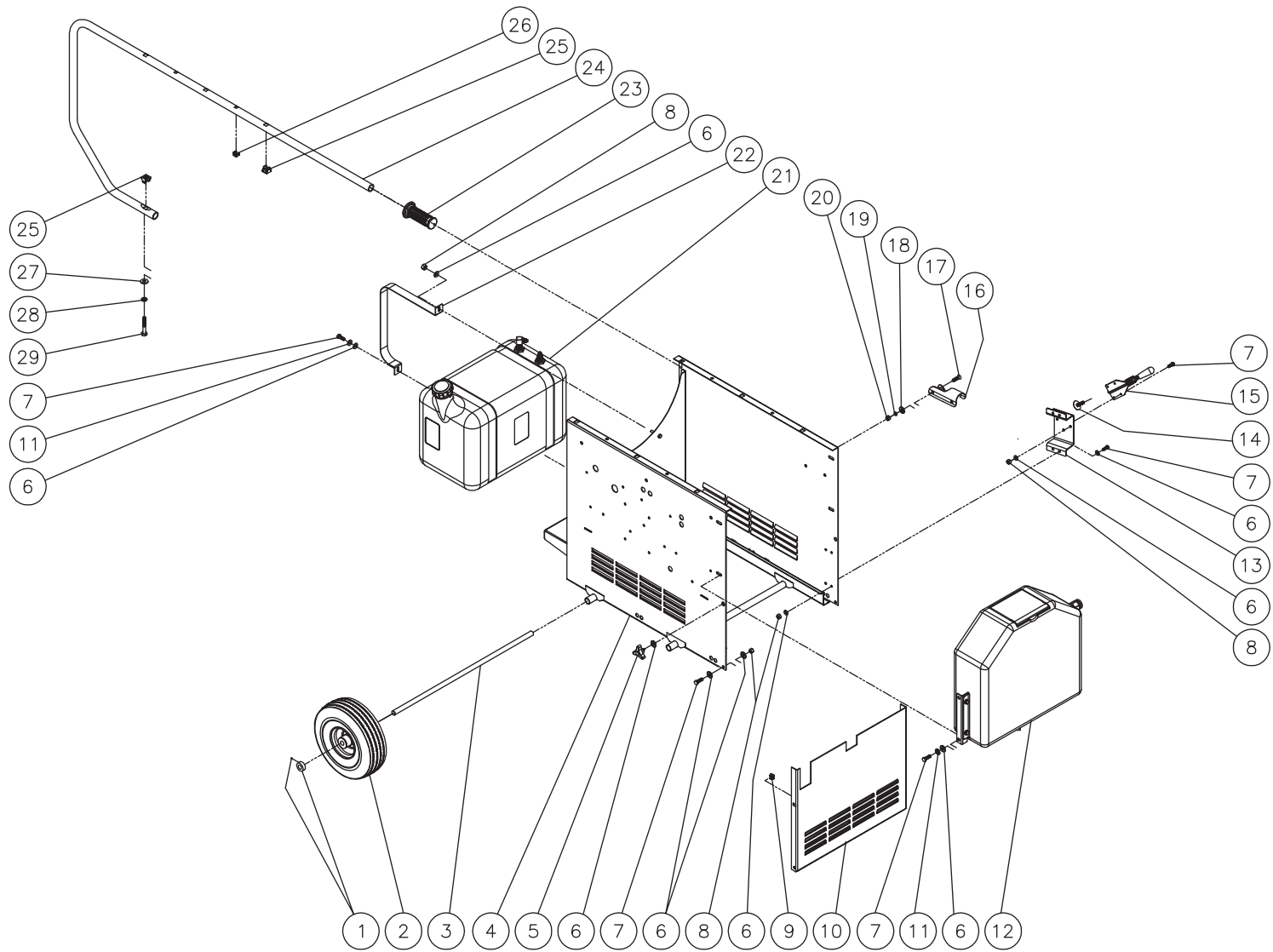
4-0017 & 4-0018-021903-KZ

4-0017-021903-KZ

BURNER ASSEMBLY (4-0017) (AFTER SERIAL #15008085)

REF.	DESCRIPTION	PART #	QTY.	REF.	DESCRIPTION	PART #	QTY.
1	Burner Head	44-0011	1	10	Fuel Line	44-0026	1
2	Mounting Gasket	44-0108	1	11	Fuel Pump	3-0236	1
3	Flange	44-0109	1	12	Fuel Solenoid	46-1020	1
4	Gasket	26-0138	1	13	Cord Set	44-0122	1
5	Air Tube	44-0110	1	14	Motor	2-0068	1
6	Nozzle Line Assembly (Inc. 7)	44-0113	1	15	Blower Wheel	44-0071	1
7	Electrode Kit	44-0114	1	16	Coupler	44-0014	1
8	Burner Housing	44-0033	1	17	Ignition Transformer	44-0017	1
9	Escutcheon Plate	44-0031	1		Complete Burner (Includes 1-17)	4-0017	

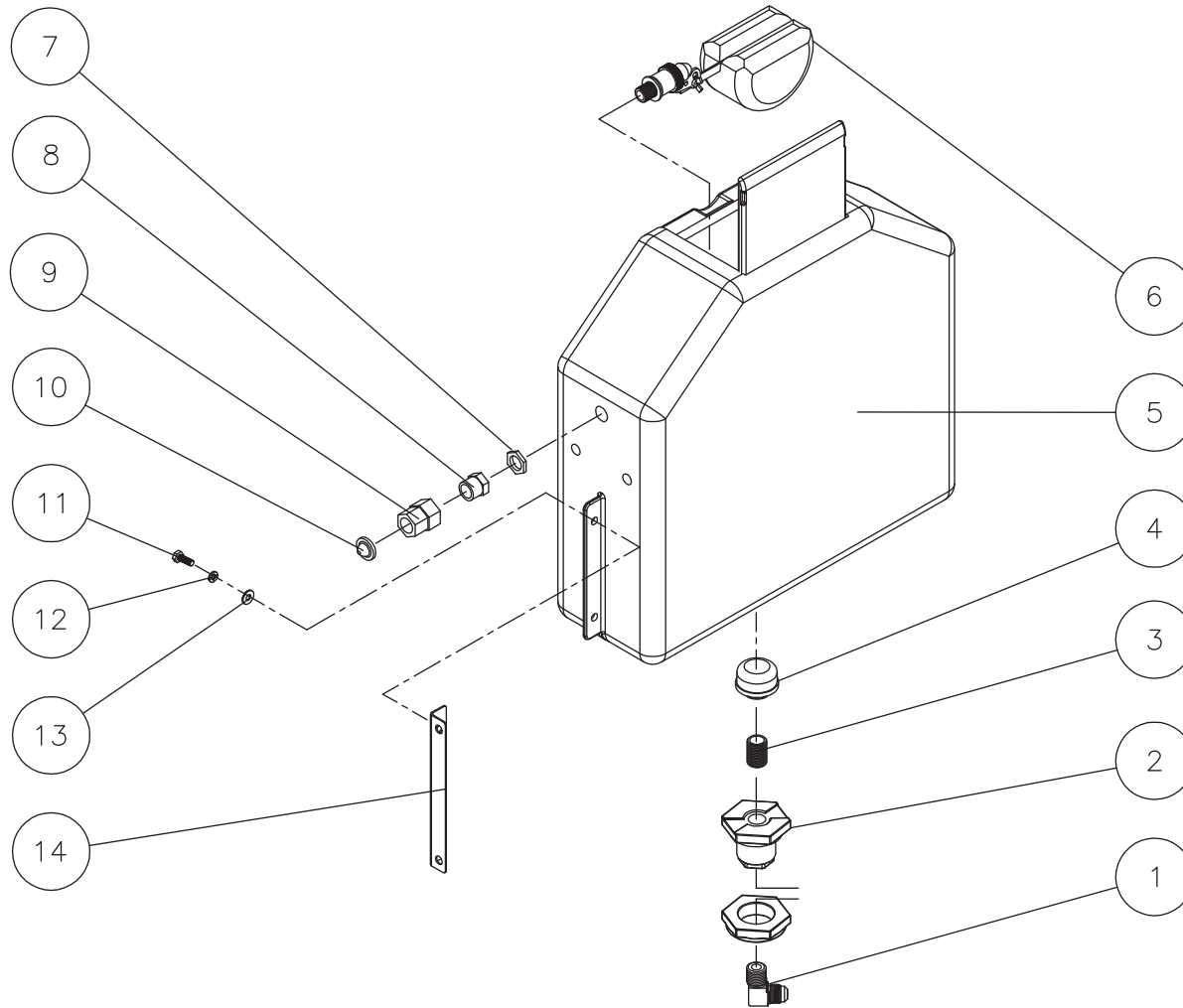
CHASSIS ASSEMBLY



HHS-SERIES-100405-RZ

CHASSIS ASSEMBLY							
REF. #	DESCRIPTION	PART #	QTY.	REF. #	DESCRIPTION	PART #	QTY.
1	Collar w/ Set Screw	33-0351	4	16	Wand Holder	20-0545A18	1
2	Wheel	14-0006	4	17	Bolt	27-0418	2
3	Axle	20-0524	2	18	Flatwasher	28-0003	2
4	Chassis Assembly	5-0230A18	1	19	Lockwasher	29-0007	2
5	3-Prong Knob	7-0168	2	20	Nut	30-0005	2
6	Flatwasher	28-0002	26	21	Fuel Tank Assembly	850-0303	1
7	Bolt	27-0015	16	22	Fuel Tank Strap	20-0598A18	2
8	Hex Nut	30-0155	12	23	Handle Grip	7-0167	2
9	Clip Nut	30-6026	2	24	Handle	7-0166A18	2
10	Access Door	20-0525A18	1	25	Clip Nut	30-6025	8
11	Lockwasher	29-0006	6	26	Clip Nut	30-6027	4
12	Float Tank Assembly (See Exploded Drawing)	N/A Sep.	1	27	Washer	28-0023	2
13	Brake Bracket	20-0825A18	1	28	Lockwasher	29-0008	2
14	Elevator Bolt	27-9550	1	29	Bolt	27-0121	2
15	Push/Pull Brake	33-0400	1				

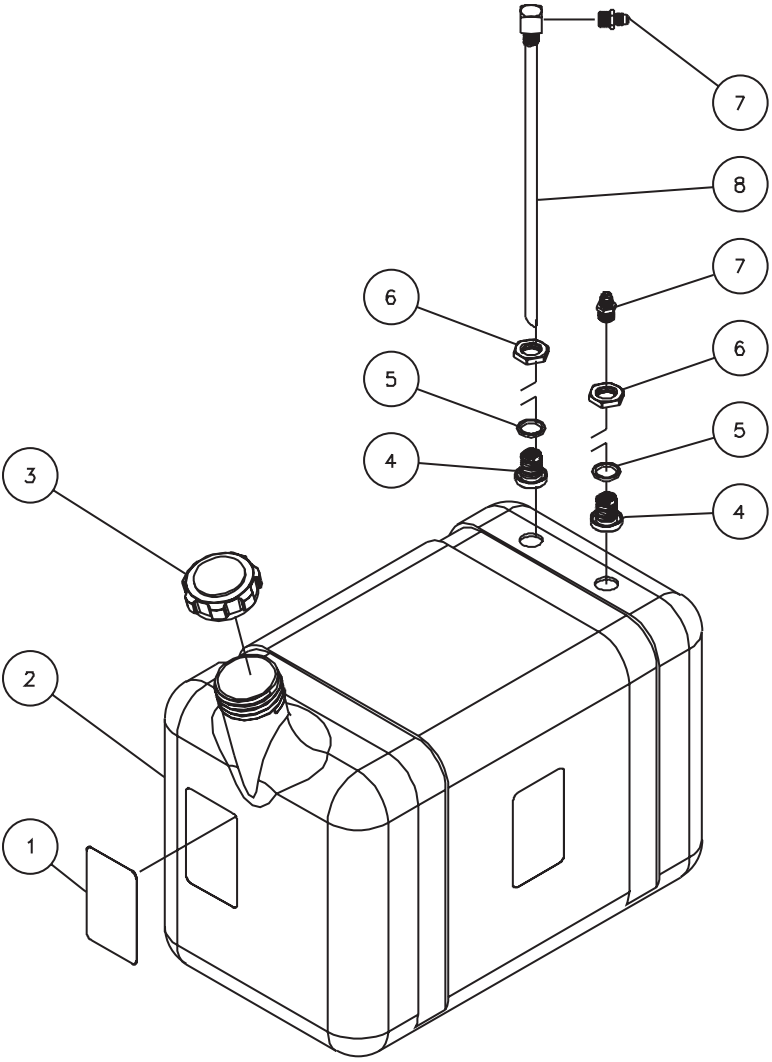
FLOAT TANK ASSEMBLY



FLOAT TANK ASSY-090905-RZ

FLOAT TANK ASSEMBLY			
REF. #	DESCRIPTION	PART #	QTY.
1	Elbow	23-0389	1
2	Bulkhead	55-0886	1
3	Close Nipple (HHS-2004/3005)	23-0019	1
-	Close Nipple (HHS-1003)	23-0403	1
-	Close Nipple (HHS-1002)	23-0402	1
-	Close Nipple (HHS-3004)	23-0392	1
4	Water Tank Strainer	19-0203	1
5	Float Tank	12-0124	1
6	Float Valve Assembly	850-0238	1
7	Locknut w/ Float Valve	23-0138	1
8	Bushing	23-0016	1
9	Garden Hose Adapter	23-0001	1
10	Inlet Strainer Gasket	19-0001	1
11	Bolt	27-0015	4
12	Lockwasher	29-0006	4
13	Flatwasher	28-0002	4
14	Float Tank Bracket	20-0599	2

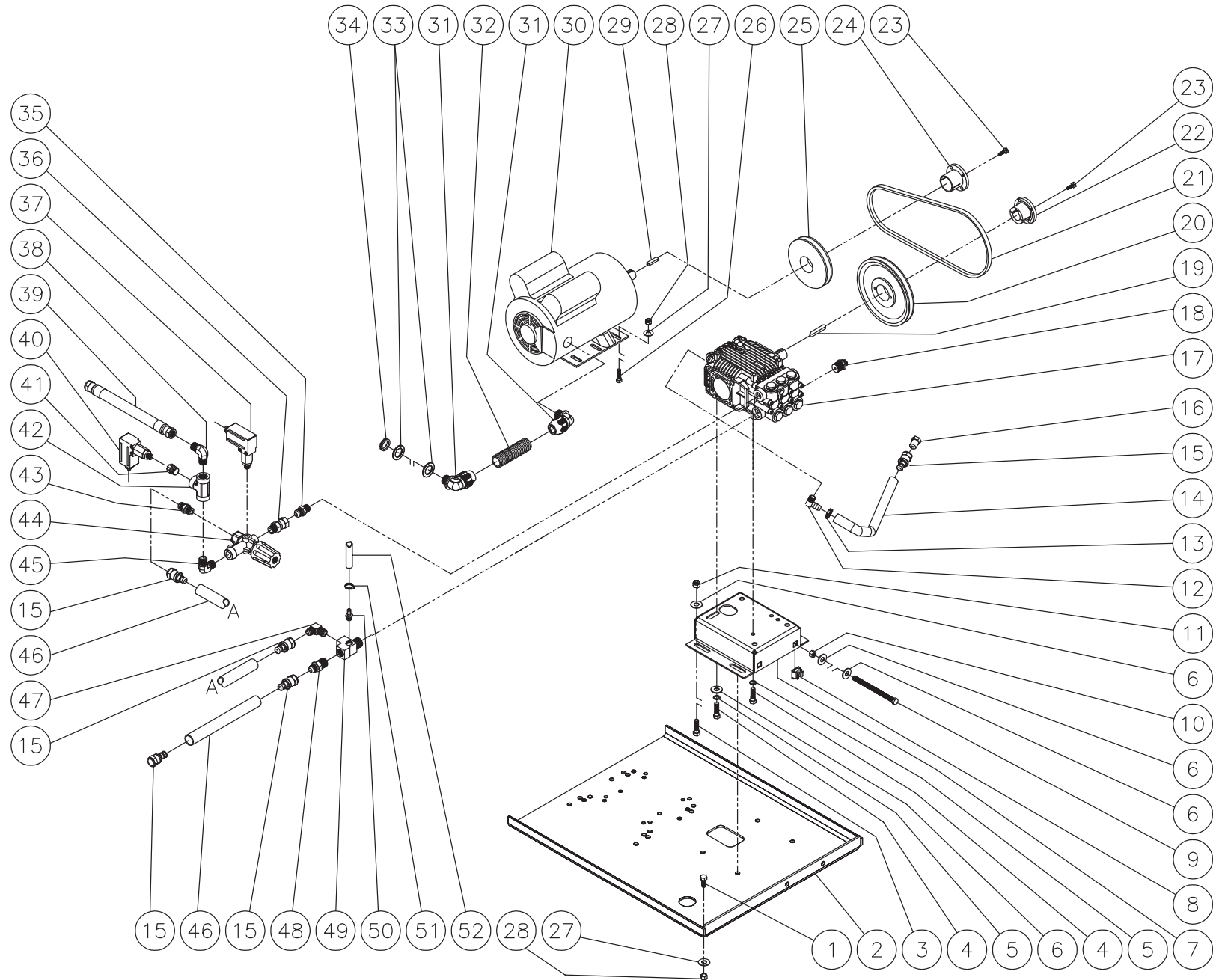
FUEL TANK ASSEMBLY (850-0303)



850-0303-34-9037-032101-BAR

FUEL TANK ASSEMBLY (850-0303)			
REF. #	DESCRIPTION	PART #	QTY.
1	Decal- Caution: Risk of Fire (E/S) (See 34-9008)	N/A Sep.	1
2	Fuel Tank	12-0126	1
3	Vented Fuel Cap	12-0033	1
4	Bulkhead Fitting	23-0408	2
5	O-ring	25-0427	2
6	Nut	23-0409	2
7	Flare Fitting	23-0247	2
8	Fuel Pick-up	33-0352	1
	Safety Decal Kit (Inc. 1)	34-9037	

MOTOR/PUMP ASSEMBLY

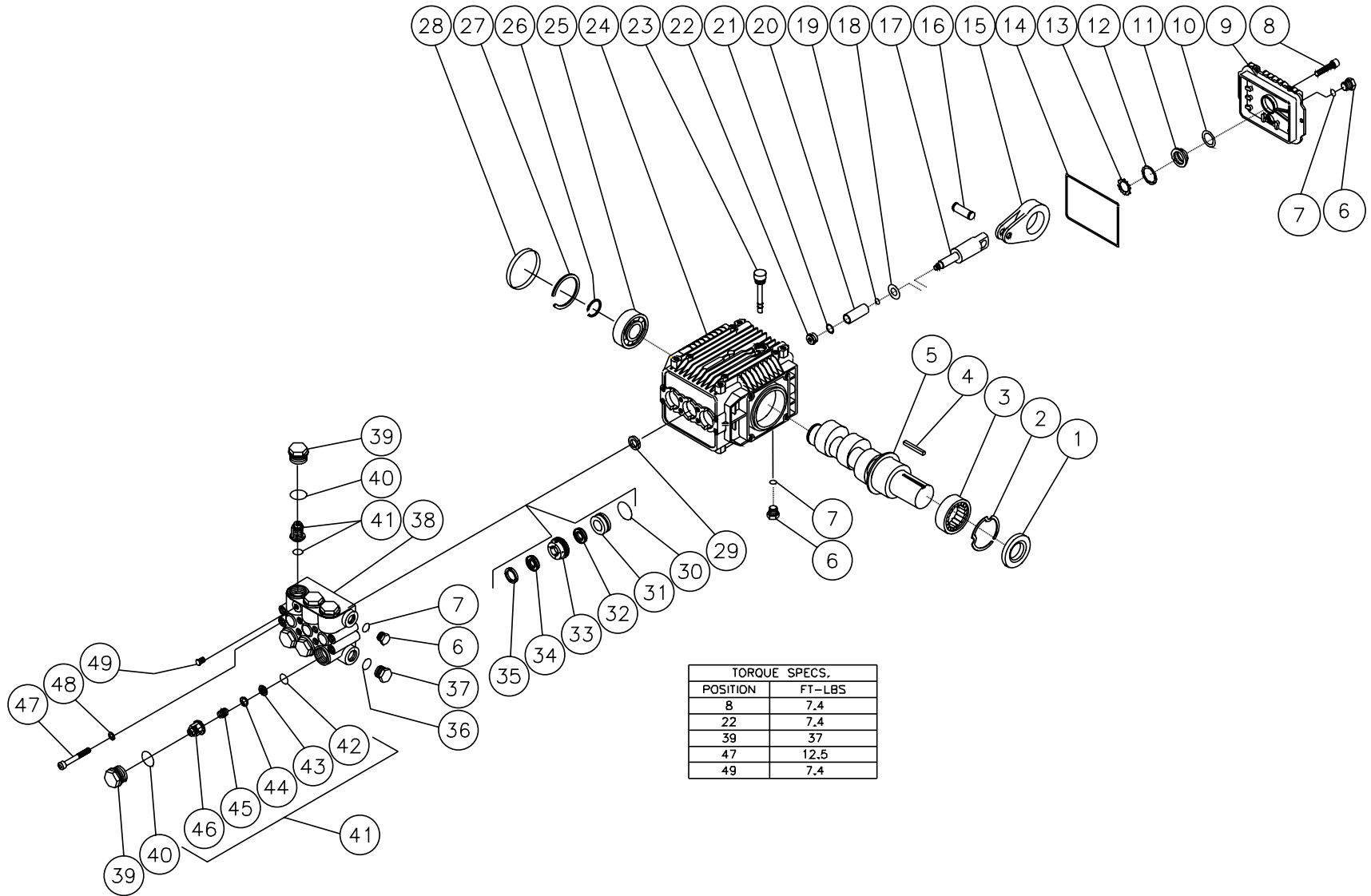


HHS-303 MOTOR PUMP ASSY-101105-RZ

MOTOR/PUMP ASSEMBLY							
REF. #	DESCRIPTION	PART #	QTY.	REF. #	DESCRIPTION	PART #	QTY.
1	Bolt	27-0066	1	25	Sheave	10-0105	1
2	Baseplate	5-0152A18	1	26	Bolt	27-0067	4
3	Bolt	27-0118	4	27	Flatwasher	28-0003	4
4	Bolt	27-8884	4	28	Nylock	30-0157	4
5	Lockwasher	29-0054	4	29	Key	43-0078	1
6	Flatwasher	28-0023	9	30	Motor Assembly	2-0118	1
7	Pump Hat	5-0153A18	1	31	Conduit	32-0254	2
8	Clip Nut	30-6025	2	32	Conduit *(Three Feet Required)	32-0253	1
9	Bolt	27-0133	2	33	Flatwasher	28-0051	2
10	Hex Nut	30-0006	2	34	Locknut	32-0108	1
11	Nut	30-0159	4	35	Nipple	24-0002	1
12	Elbow	23-0119	1	36	Swivel	24-0037	1
13	Clamp Worm	42-0011	1	37	Pressure Switch	22-0171	1
14	Hose *(Two Feet Required)	15-0007	1	38	High Pressure Hose Assembly	15-0221	1
15	Hose Barb	23-0360	5	39	Nipple	23-0370	1
16	Plug	23-0411	1	40	Unloader Assembly	850-0252	1
17	Pump w/Key	3-0210	1	41	Elbow	24-0092	1
18	Thermal Relief Valve	22-0005	1	42	Hose *(Three Feet Required)	15-0200	1
19	Key	43-0091	1	43	Elbow	23-0389	1
20	Sheave	10-0103	1	44	Nipple	23-0361	1
21	Belt	11-0006	1	45	Street Tee	23-0388	1
22	Bushing	9-0017	1	46	Hose Barb	23-0051	1
23	Bolt w/Bushing	27-0015	4	47	Clamp	42-0004	1
24	Bushing	9-0037	1	48	Detergent Hose *(Three Feet Required)	15-0021	1

*Must Order in One Foot Lengths.

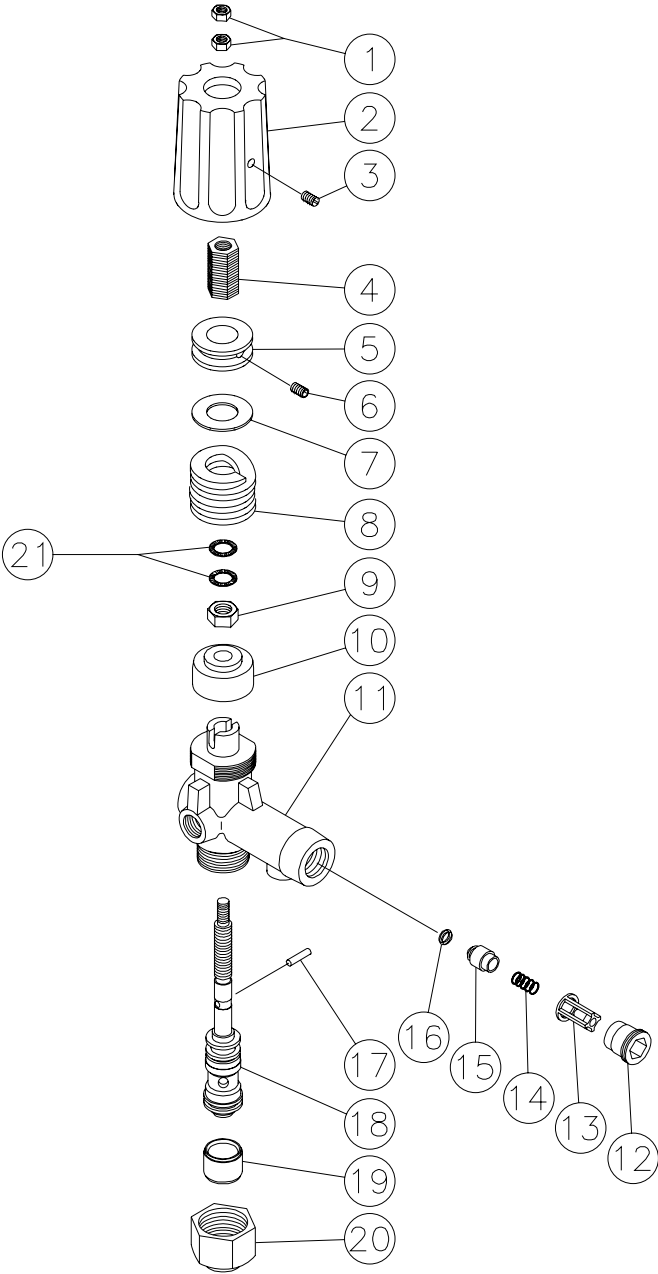
PUMP ASSEMBLY (3-0210)



3-0202-030703-RD

PUMP ASSEMBLY (3-0210)											
REF. #	DESCRIPTION	PART #	QTY.	REF. #	DESCRIPTION	PART #	QTY.	REF. #	DESCRIPTION	PART #	QTY.
1	Oil Seal	26-0250	1	19	O-ring	25-0371	3	37	Plug	39-0088	1
2	Retaining Ring	46-0667	1	20	Piston	46-0723	3	38	Manifold	46-0730	1
3	Bearing	48-0059	1	21	Washer	26-0187	3	39	Valve Cap	39-0087	6
4	Key	43-0091	1	22	Nut	30-6016	3	40	O-ring	25-0160	6
5	Crankshaft	46-0754	1	23	Oil Dipstick	39-0090	1	41	Single Valve Assembly (Inc. 42-46) (See 70-0161)	N/A Sep.	6
6	Plug	39-0086	3	24	Crankcase	46-0724	1	42	O-ring	25-0386	6
7	O-ring	25-0325	3	25	Bearing	48-0063	1	43	Valve Seat (See 70-0161)	N/A Sep.	6
8	Bolt	27-8888	6	26	Retaining Ring	46-0732	1	44	Valve Plate (See 70-0161)	N/A Sep.	6
9	Crankcase Cover	46-0719	1	27	Retaining Ring	46-0676	1	45	Valve Spring (See 70-0161)	N/A Sep.	6
10	O-ring	25-0370	1	28	Bearing Cap	46-0725	1	46	Valve Cage (See 70-0161)	N/A Sep.	6
11	Oil Sight Glass	46-0670	1	29	Oil Seal	26-0193	3	47	Head Bolt	27-8875	8
12	Reflector	46-0824	1	30	O-ring	25-0399	3	48	Lockwasher	29-0153	8
13	Retainer	46-0671	1	31	Retainer	46-0726	3	49	Plug	39-0097	1
14	O-ring	25-0398	1	32	Low Pressure Seal (See 70-0181)	N/A Sep.	3		High Pressure Seals (Inc. 3 each 30, 32, 34)	70-0181	
15	Connecting Rod	46-0720	3	33	Packing Retainer	46-0728	3		Support Rings (Inc. 3 each 35)	70-0182	
16	Piston Pin	46-0721	3	34	V-packing (See 70-0181)	N/A Sep.	3		Valves (Inc. 6 each 42-46)	70-0161	
17	Plunger Rod	46-0722	3	35	Support Ring (See 70-0182)	N/A Sep.	3				
18	Washer	28-1022	3	36	O-ring	25-0372	1				

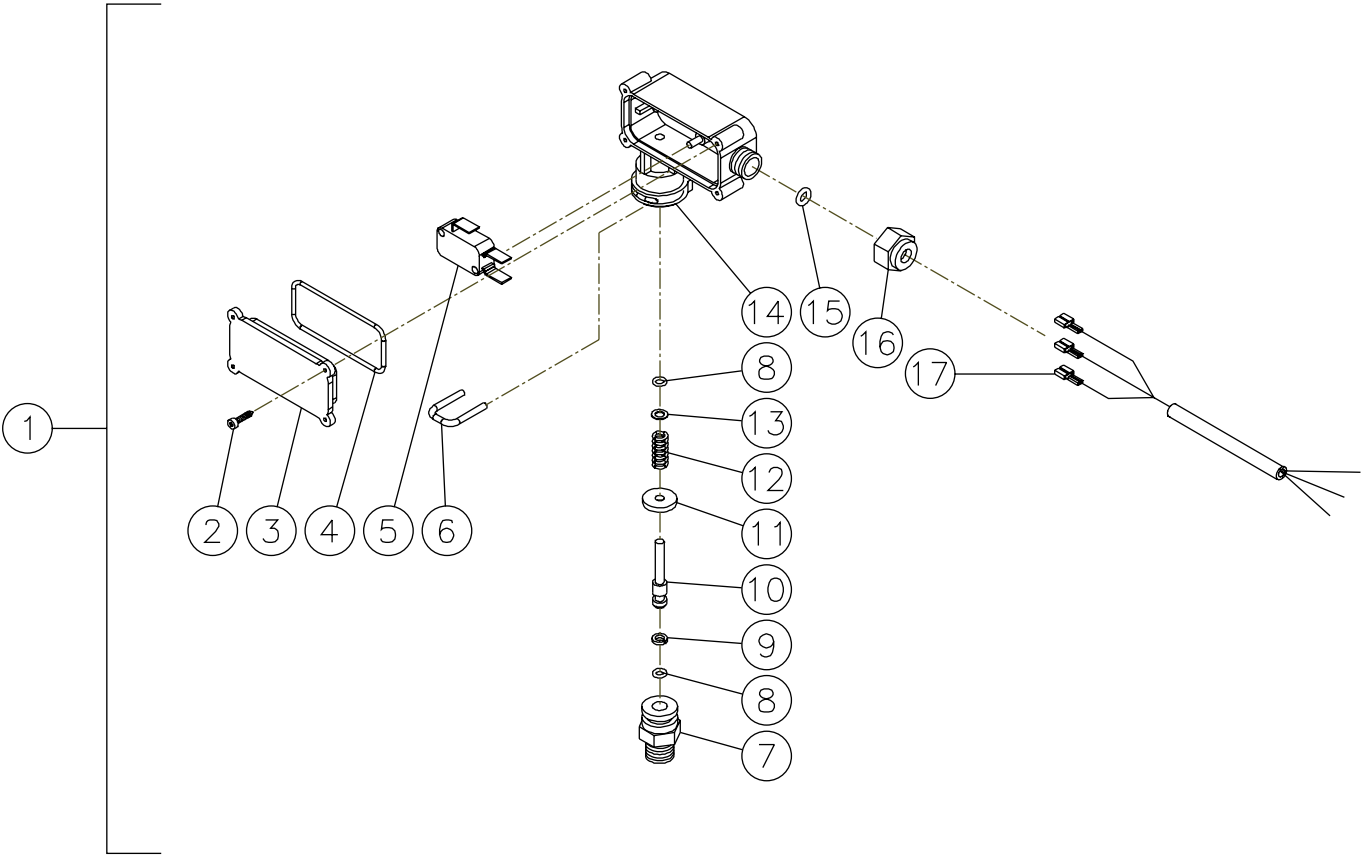
UNLOADER (850-0252)



OMGENI63-101298-BAR

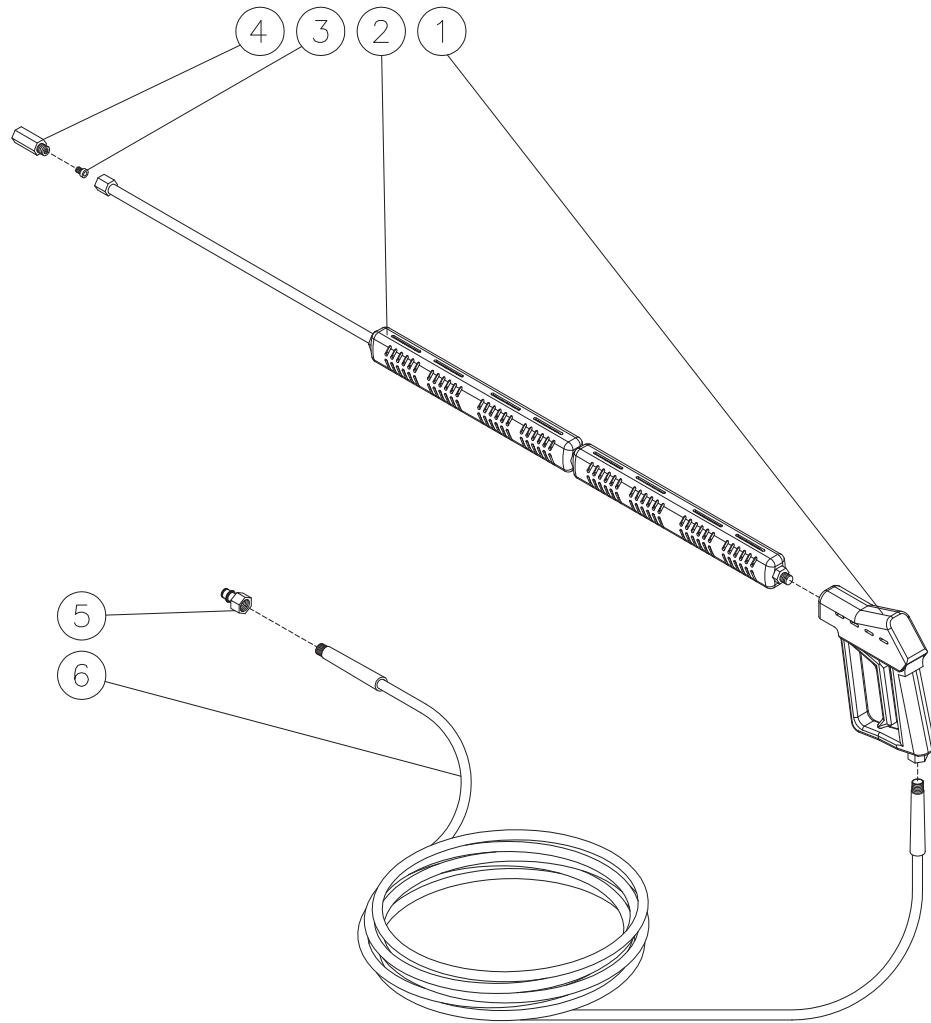
UNLOADER (850-0252)			
REF. #	DESCRIPTION	PART #	QTY.
1	Hex Nut	8-0362	2
2	Cover	7-0098	1
3	Set Screw	27-4280	1
4	Adjusting Insert- Brass	8-0363	1
5	Adjustment Nut	8-0364	1
6	Set Screw	8-0365	1
7	Glide Ring	8-0366	1
8	Spring	49-0104	1
9	Hex Nut	8-0367	1
10	Bushing	8-0368	1
11	Unloader Body	8-0369	1
12	Retainer	8-0269	1
13	Valve Housing	8-0104	1
14	Spring	49-0023	1
15	Valve	8-0105	1
16	O-ring	25-0036	1
17	Cylinder Pin	8-0372	1
18	Piston Repair Kit	70-0243	1
19	Spacer	8-0371	1
20	Stop Nut	8-0157	1
21	Washer	29-0154	2
	Check Valve Repair Kit (Includes 13-16)	70-0244	
	Unloader Complete	850-0252	

PRESSURE SWITCH (22-0171 & 22-0243)



PRESSURE SWITCH (22-0171 & 22-0243)								
REF. #	DESCRIPTION	PART #	QTY.		REF. #	DESCRIPTION	PART #	QTY.
1	Pressure Switch- 15 BAR	22-0171	1		11	Washer	N/A	1
-	Pressure Switch- 25 BAR	22-0243	1		12	Spring- 15 BAR	49-0144	1
2	Screw	N/A	4		-	Spring- 25 BAR	49-0145	1
3	Cover	N/A	1		13	Washer	N/A	1
4	O-ring (See 70-0306)	N/A Sep.	1		14	Plastic Housing	N/A	1
5	Micro Switch	N/A	1		15	O-ring (See 70-0306)	N/A Sep.	1
6	Retainer Clip	N/A	1		16	Nut- 15 BAR	N/A	1
7	Body	N/A	1		-	Nut- 25 BAR	N/A	1
8	O-ring (See 70-0306)	N/A Sep.	2		17	Wire Assembly	N/A	1
9	Back-up Ring (See 70-0306)	N/A Sep.	1			O-ring Repair Kit (Inc. 4, 8-9, 15)	70-0306	
10	Piston	N/A	1					

GUN/WAND/HOSE ASSEMBLY

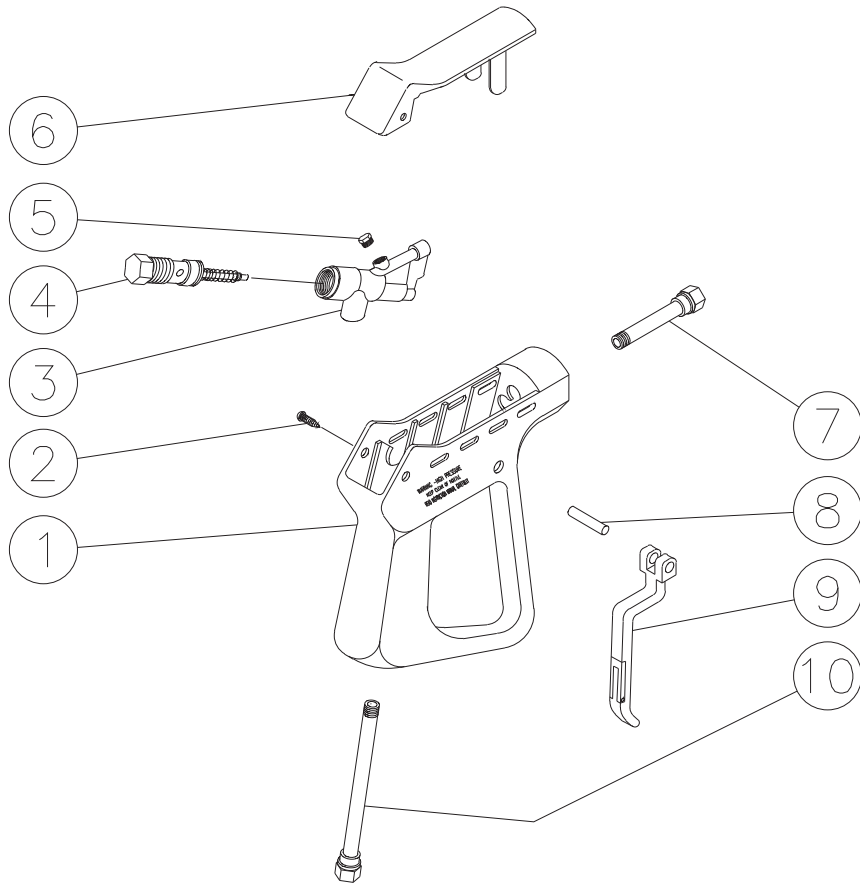


HHS-303 GUN/WAND/HOSE ASSY-100405-RZ

GUN/WAND/HOSE ASSEMBLY			
REF. #	DESCRIPTION	PART #	QTY.
1	Gun	16-0001	1
2	Lance Assembly	16-0389	1
3	Steam Nozzle	18-0358	1
4	Steam Nozzle Holder	23-0350	1
5	Socket	17-0006	1
6	High Pressure Hose Assembly	15-0077	1

HHS-303 GUN WAND HOSE ASSY-100405-RZ

GUN ASSEMBLY (16-0001)

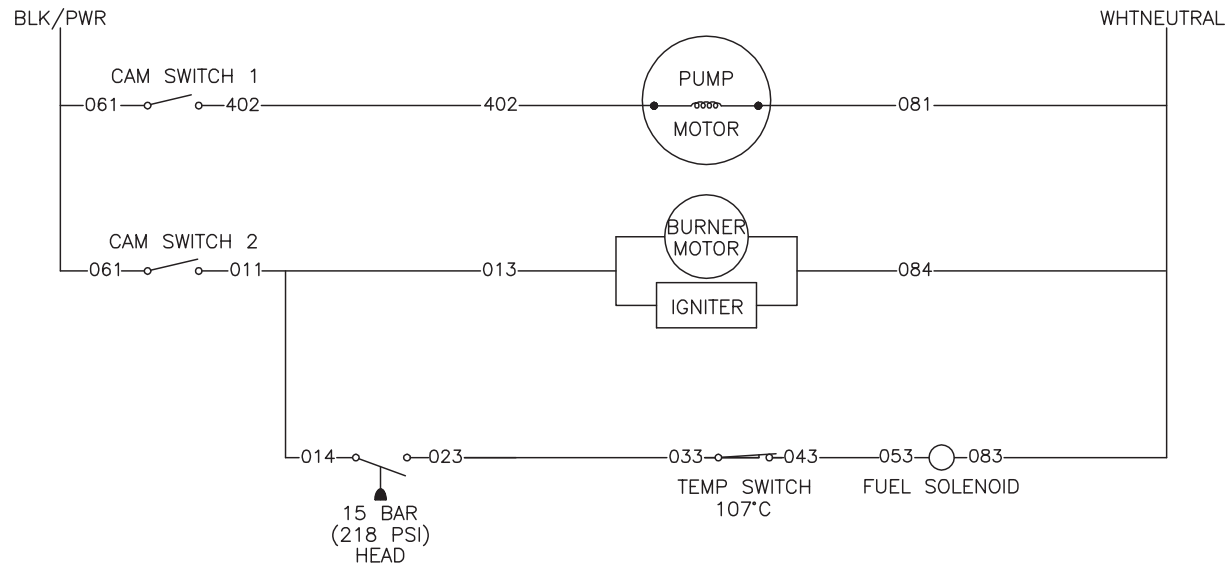


16-0001-110399-RD

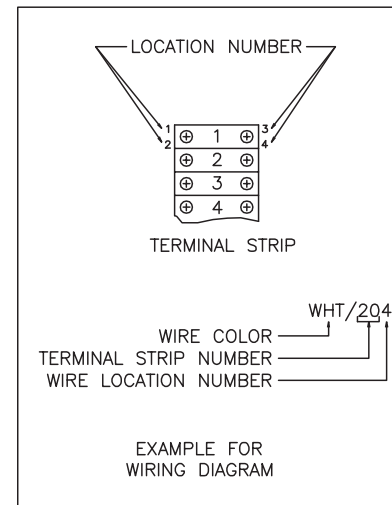
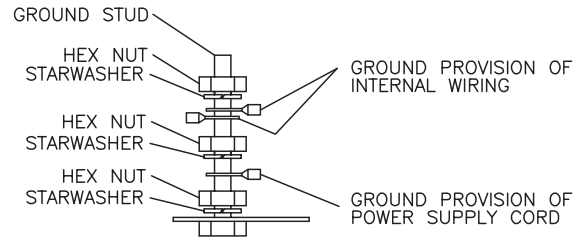
GUN ASSEMBLY (16-0001)			
REF. #	DESCRIPTION	PART #	QTY.
1	Plastic Housing	16-0008	1
2	Screw	27-3230	2
3	Brass Housing	16-0012	1
4	Gun Repair Kit	70-0055	1
5	Brass Plug	39-0024	1
6	Plastic Cover	16-0009	1
7	Pipe Assembly	16-0013	1
8	Trigger Pin	16-0063	1
9	Trigger/Safety Lock-off	16-0010	1
10	Pipe Assembly- Inlet	16-0016	1
	Complete Gun Assembly	16-0001	1

16-0001-110399-RD

WIRE SCHEMATIC

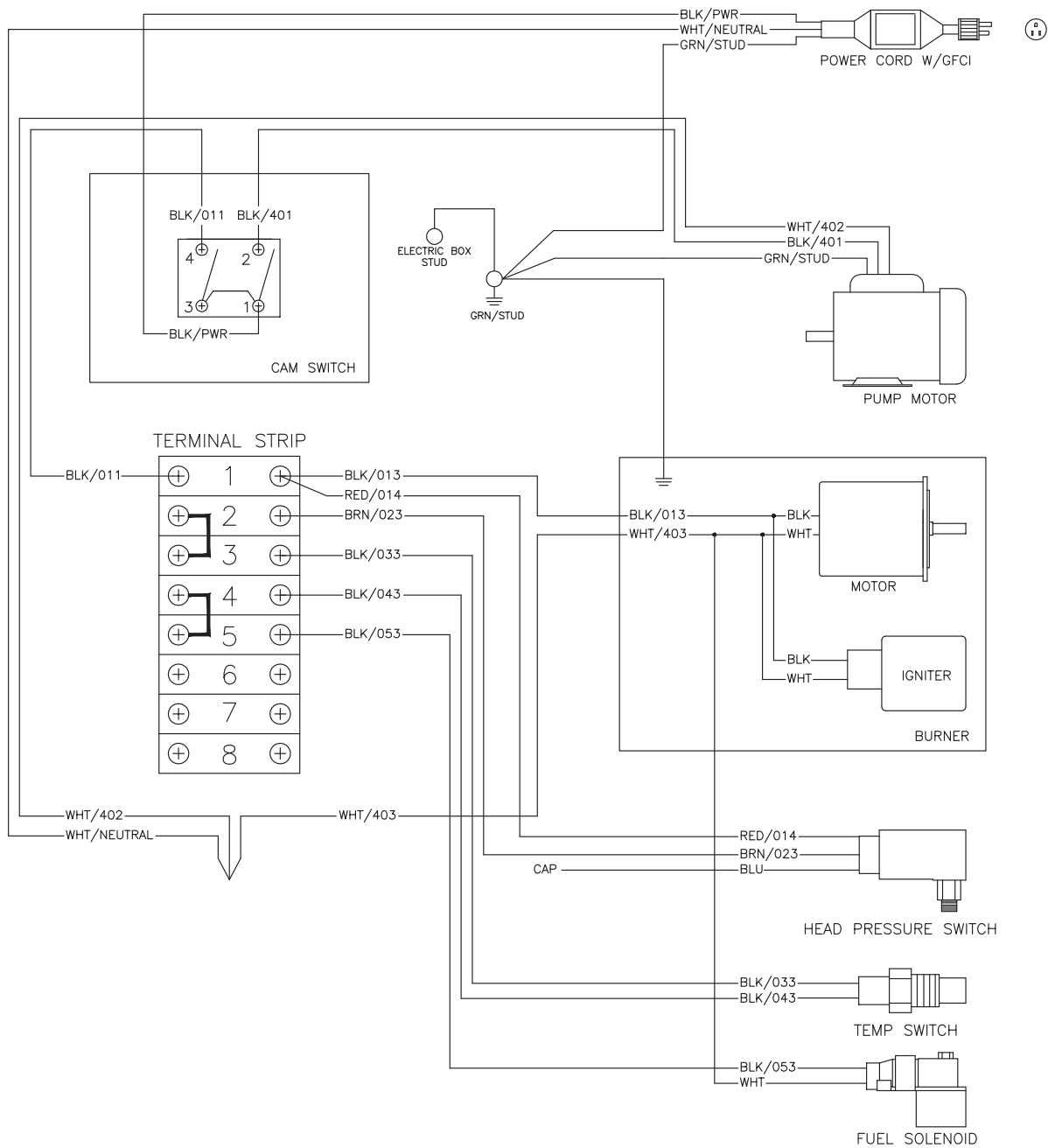


GROUNDING PROVISIONS



WIRE SCHEMATIC HHS-303-101105-RZ

WIRE DIAGRAM



WIRE DIAGRAM HHS-303-101105-RZ

